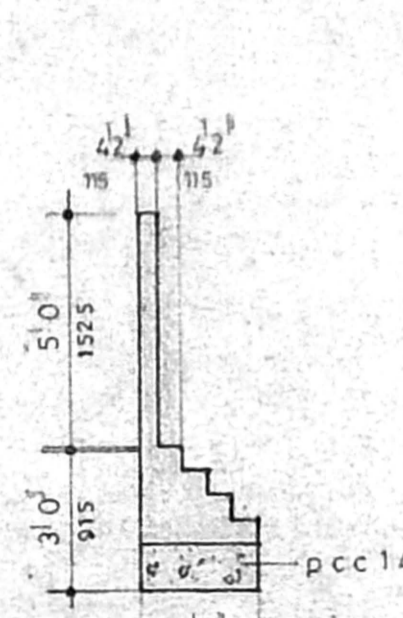
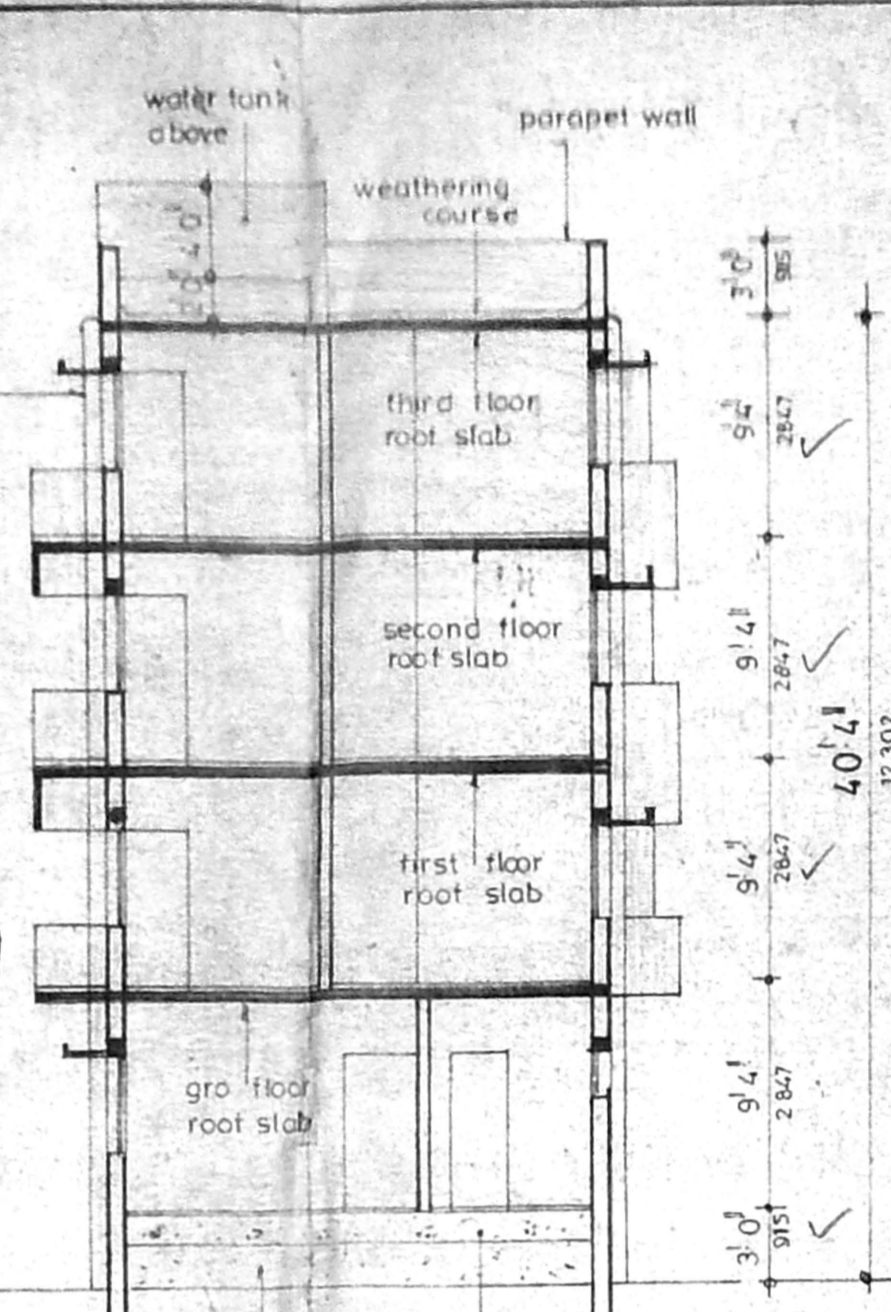
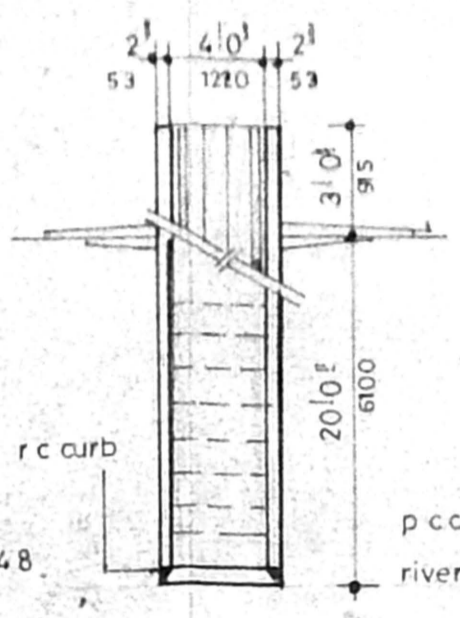


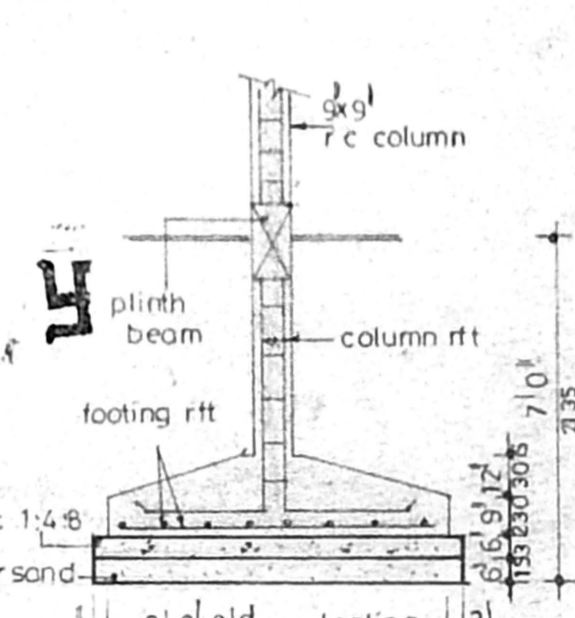
**APPROVED**  
 SUBJECT TO THE CONDITIONS IN THIS OFFICE LETTER.  
 Planning Permit No. B/26293/38/99  
 No. B/12642/98 2-99  
 FOR MEMBER SECRETARY  
 CHENNAI METROPOLITAN  
 DEVELOPMENT AUTHORITY  
 CHENNAI-600 008.



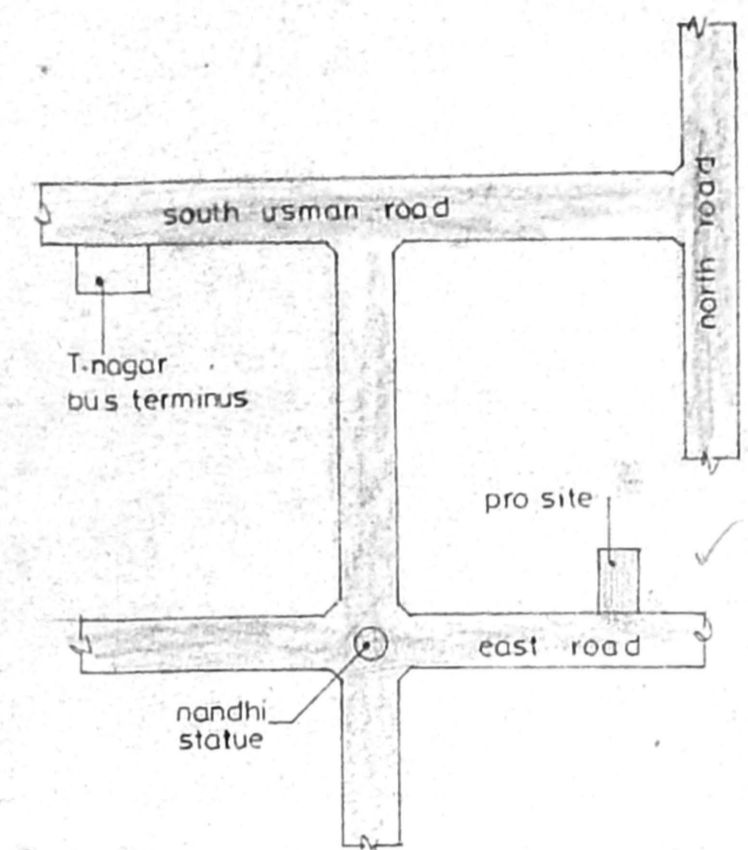
Compound wall detail



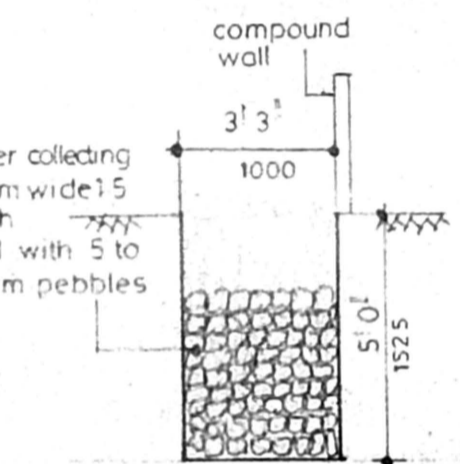
Well detail



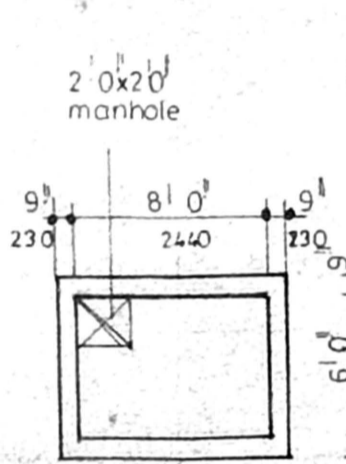
Foundation detail



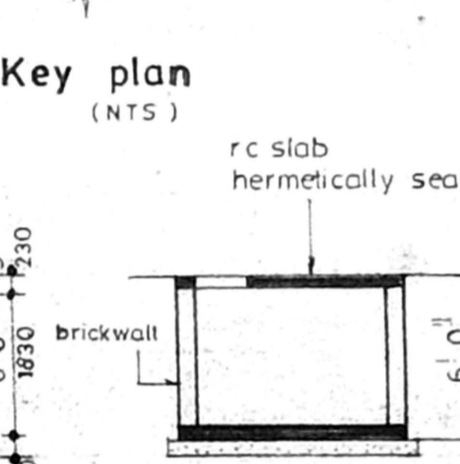
Key plan (NTS)



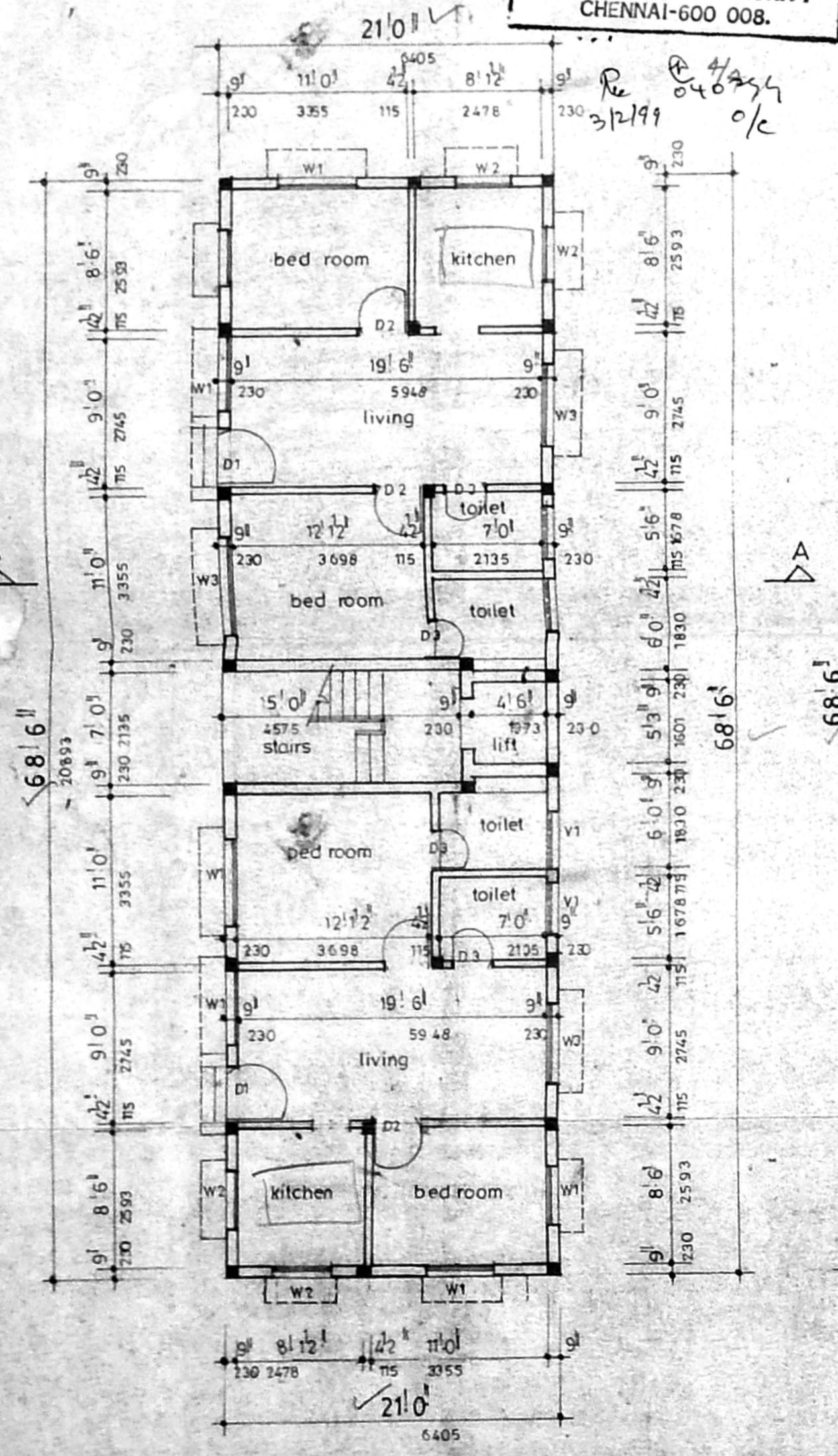
Rain water collecting trench



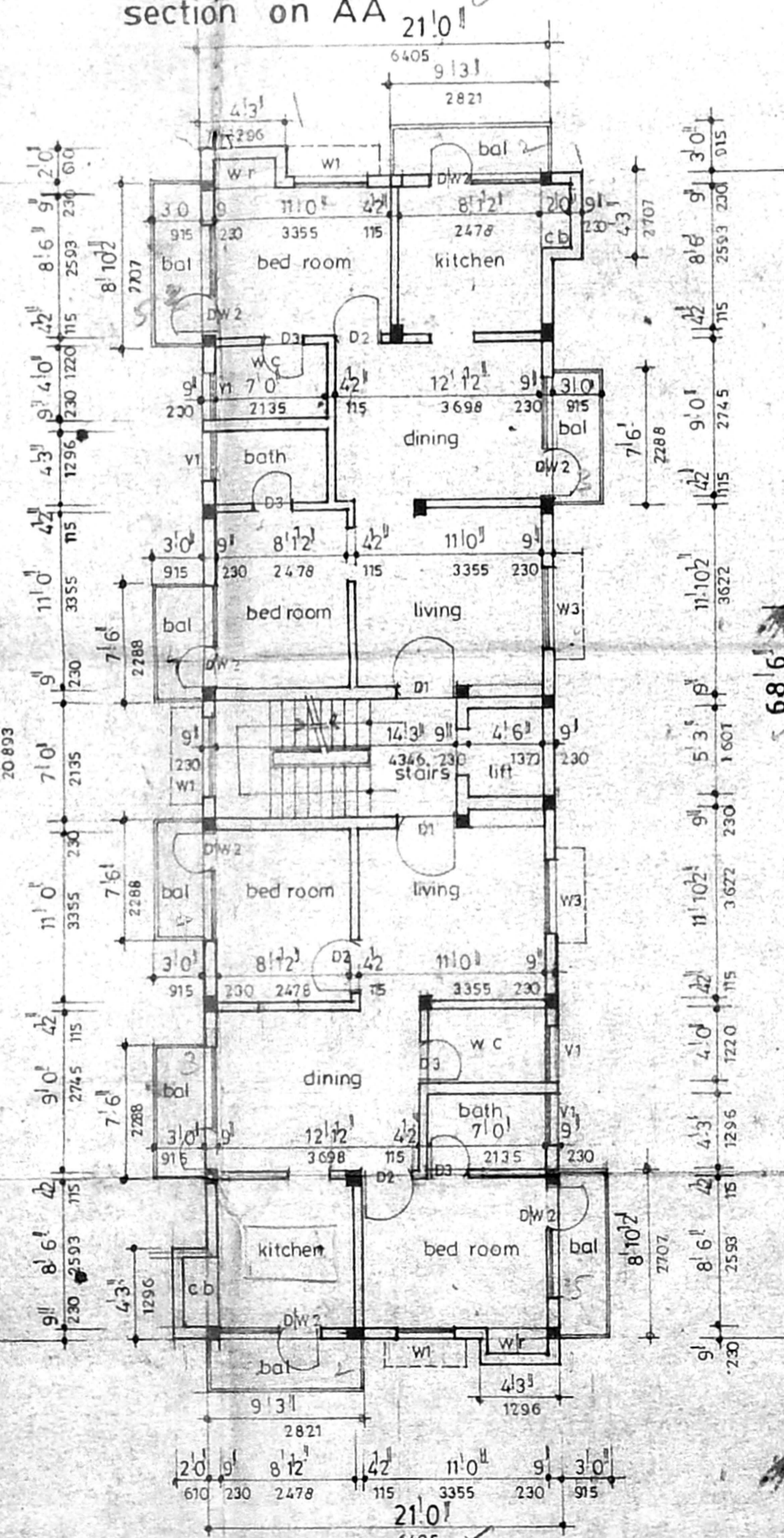
Plan of sump



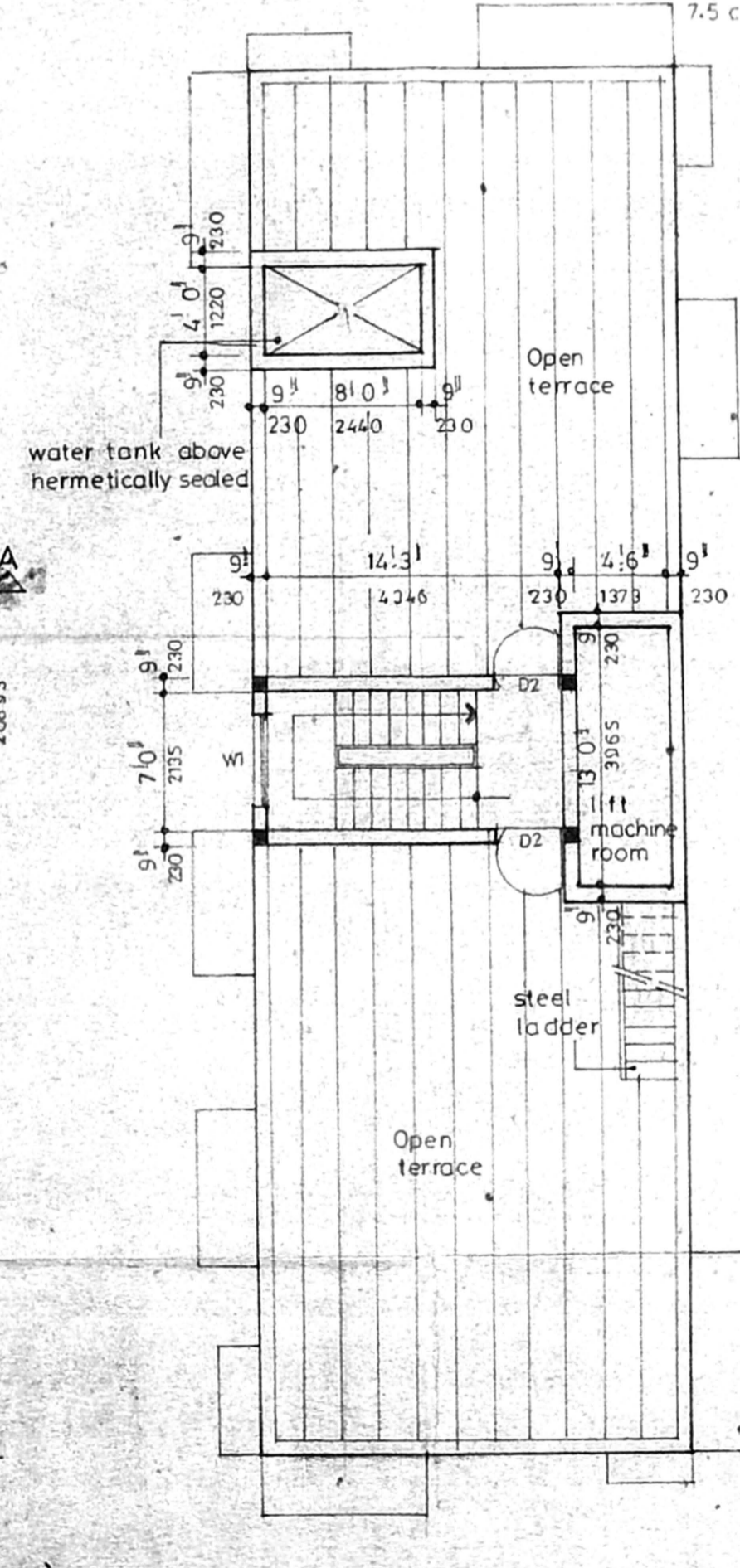
Section of sump



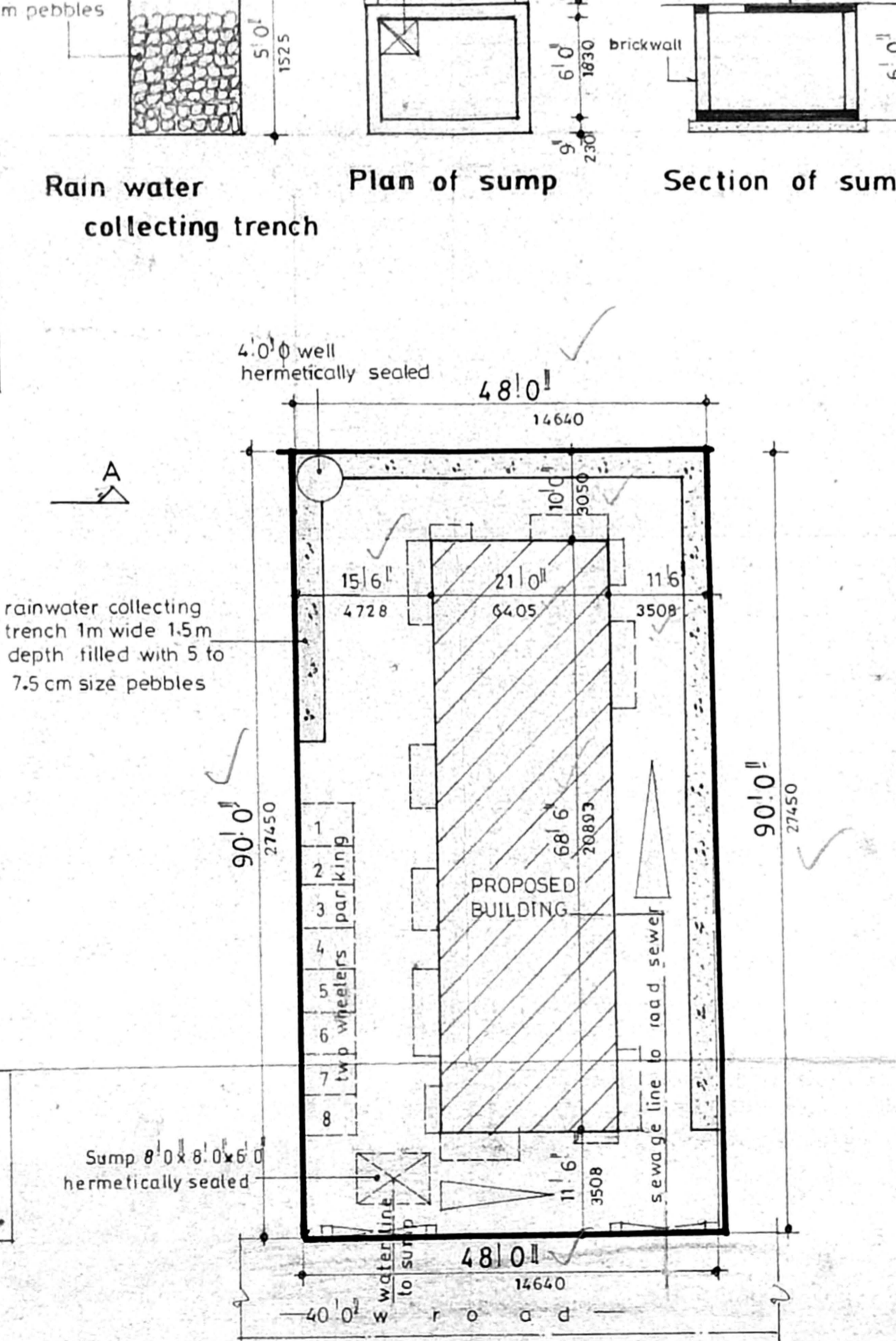
ground floor plan



typical floor plan  
(first second & third)



terrace floor plan



site plan

**Specification**

- 1 9x9' rc column
- 2 all columns are connected by plinth beam
- 3 mosaic flooring
- 4 b/w in basement and in g.s in cm 1:5
- 5 joinery work
- 6 lintels over openings
- 7 roof covered by re-slab
- 8 all rc work in c/c 12:4
- 9 walls are plastered in cm 1:5
- 10 walls are painted with cement paint
- 11 weathering course are laid with proper slope

**Joinery**

Type	Size	Description
D1	3'3x7'0"	tw panelled door
D2	3'0x7'0"	tw panelled door
D3	2'6x7'0"	tw panelled door
W1	4'0x4'6"	tw glazed window
W2	4'0x3'0"	kitchen window
W3	6'0x4'6"	tw glazed window
DW1	6'9x7'0"	door cum window
V1	3'0x2'0"	Ventilator

**Demolition & reconstruction of residential building at**  
 Plot no 127, New door no 8,  
 East road, West C.I.T Nagar,  
 GF nos 4/1 and 4/2AIA (pt),  
 T-3, N-2, B BLOCK N-13 GOVT FARM VILLAGE  
 Saidapet, Chennai,

**Area statement**

	sqft	sq m
Ground floor area	1439.00	133.74
First floor area	1672.00	155.48
Second floor area	1672.00	155.48
Third floor area	1672.00	155.48
Total	6455.00	599.99
Plot area	4320.00	401.49
F.S-1: 1494		
Plot coverage 33%		

**Colour code reference**

Proposed	[Hatched Box]
Road	[Solid Box]
Boundary	[Dashed Box]

SCALE 1"=8'0"

Owner's signature

J. SURESH, S.E.  
 CLASS-I, L.S. No. 10278-09  
 REG. JUSTICE W.S.K. ENCLAVE,  
 LANGR GARDEN ROAD,  
 PUDUPET, CHENNAI-600 008.  
 PHONE: 8549907

Licensed surveyor